



Project: _____
 Location: _____
 Item #: _____
 Quantity: _____

Undercounter Recessable Freezers

RUFS MODELS — RUFS-1-S7

Stainless steel
 exterior and
 interior.



RUFS-1-S7

Standard Features

- Stainless Steel Top
- Thermometer
- Self-Closing Door
- Heavy-Duty Lifetime Cam Lift Hinges
- One Piece Self-Adjusting Magnetic Door Gaskets
- Lifetime Safety Grip Handle
- Adjustable Wire Shelf
- Stainless Steel Breaker Strip
- Plasticized Fin Coil
- Automatic Condensate Evaporator
- Energy Efficient Refrigeration System with Automatic Defrost
- Environmentally Friendly R-404A Refrigerant
- Adjustable Foot Levelers
- Cord and Plug Attached

Optional Features and Accessories

- Adjustable Stainless Steel Wire Shelf
- Rollers
- Casters

Cabinet:

This compact undercounter freezer is ideal for operations that have limited space in their workstations and will fit under existing worktables.

The cabinet is internally supported, braced and assembled into a rigid unit. The cabinet top, front, louvered grille and exterior door are constructed of stainless steel. Foamed-in-place polyurethane insulation ensures the ultimate in energy efficiency.

Doors:

The self-closing door is securely mounted on rugged cam lift hinges, which are guaranteed for life. Each door has a lifetime workflow handle and a one-piece self-adjusting magnetic gasket for a positive seal. Humidity control wires located around the door jamb prevent condensation from forming on the cabinet front and are concealed by a stainless steel breaker strip.

Refrigeration System:

The self-contained refrigeration system condensing unit is mounted under the storage compartment and concealed behind the stainless steel louvered grille. The air circulating fan and the forced convection-cooling coil are mounted behind the rear wall of the storage compartment, readily accessible for servicing. The unique airflow design permits the cabinet to be enclosed on both sides or be mounted flush against a wall. All condensate water is disposed of automatically, no plumbing is required.

Approvals:	 	Victory Refrigeration specification sheets are available online at www.victory-refrig.com .
------------	---	---

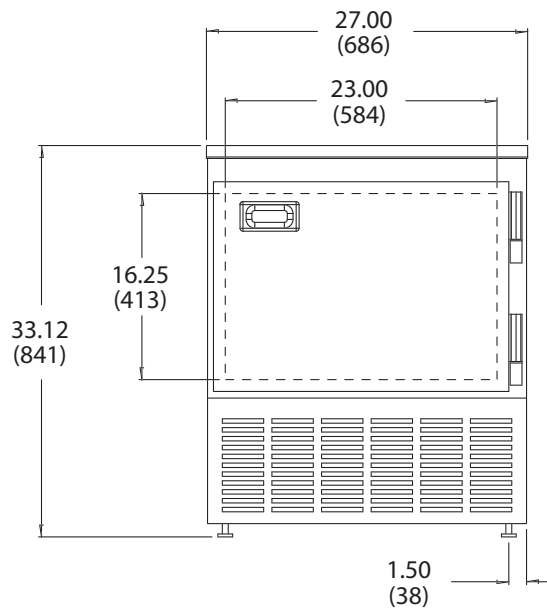
CHARACTERISTICS	ONE SECTION
Width, Overall	27
Depth, Overall	28
Height, Overall (incl. adj. legs)	38 1/8*
Depth, Door(s) Open 90°	53
Clear Door Width	23
Clear Door Height	16 1/4
Capacity Net (cubic feet)	5.0
No. of Doors	1
No. of Shelves	1
Shelf Area (square feet)	5.5
Cabinet Voltage	115/60/1
Feed Wires	2
Condensing Unit Voltage	115/60/1
Condensing Unit Size (HP)	1/3
Total Amperes	8.0

* With optional caster, overall height is 34"

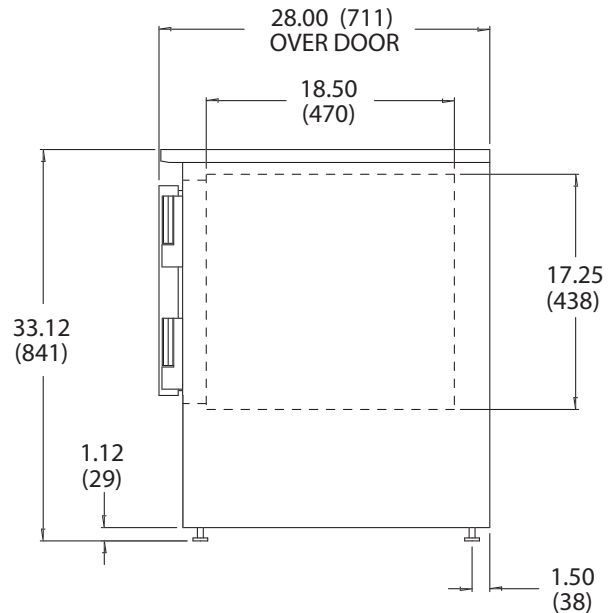
Crated dim. & wts.	Ht.	Width	Depth	Cu.Ft.	Lbs
RUFS-1-S7	39	33	34	25.3	305

Dimensional tolerance ± 1/4" Metric dimensions (MM)

We reserve the right to change specifications and product design without notice. Such revisions do not entitle the buyer to corresponding changes, improvements, additions or replacements for previously purchased equipment.



FRONT VIEW



SIDE VIEW

Continuous product development may necessitate specification changes and design without notice.



Victory participates in the KCL CADalog, the most current source of CAD symbols for foodservice designers worldwide. Symbols include standard equipment in plan, side, front and 3-D views, layered for FEDA/FCSI recommended guidelines.