



Project: \_\_\_\_\_  
 Location: \_\_\_\_\_  
 Item #: \_\_\_\_\_  
 Quantity: \_\_\_\_\_

## Direct Draw Dispenser

### VDD MODELS —

### VDD-24-B-B-1

Black Vinyl on Steel Exterior Finish with  
 Stainless Steel Top and Drip Tray.  
 Galvanized Steel Interior Walls and Ceiling.  
 Stainless Steel Reinforced Floor and Doorsill.



**VDD-24-B-B-1 Illustrated**

#### Standard Features (all models)

- Black Vinyl on Steel Exterior
- Stainless Steel Top and Drip Tray
- Galvanized Walls and Ceiling
- Reinforced Stainless Steel Floor and Doorsill
- Self-Closing Door with Key Lock and Magnetic Gasket
- Full Keg Capacity
- 3" Insulated Tower with Single Faucet
- Tower has a Continuous Source of Cold Air to Keep Beer at it's Coldest when Dispensed
- Foamed-In Place Polyurethane provides Energy Efficiency
- CFC Free R134a Refrigerant
- One Year Parts and Labor and a Five Year Warranty for the Compressor (U.S.A. only)
- 8' Cord and Plug Set included

#### Optional Features and Accessories

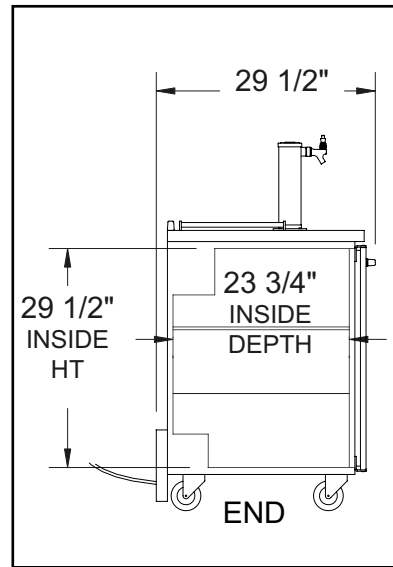
- Stainless Steel Exterior Models

Approvals:

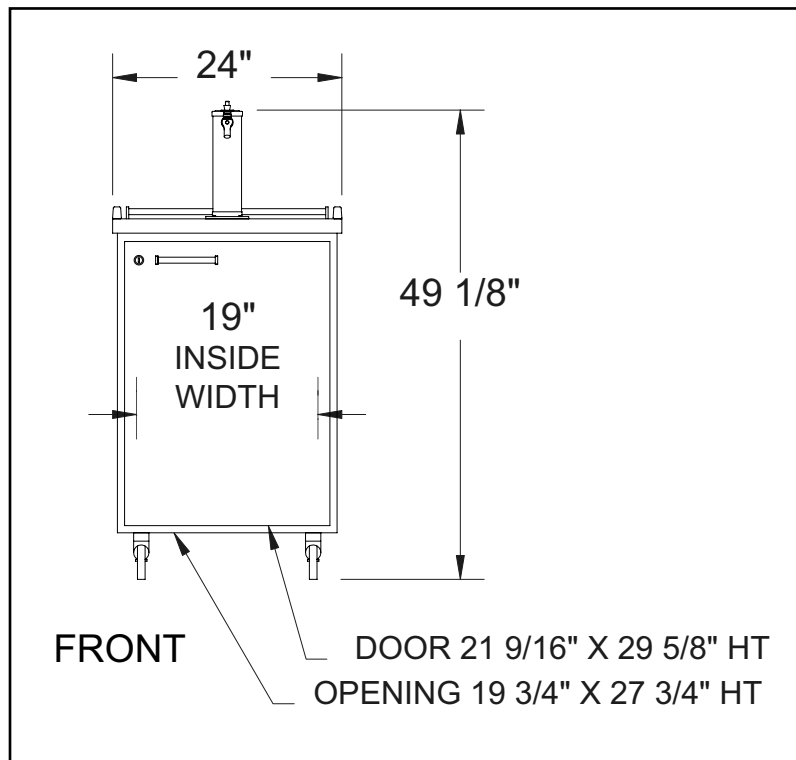


Victory Refrigeration specification sheets  
 are available online at [www.victory-refrig.com](http://www.victory-refrig.com).

CHARACTERISTICS	VDD-24-B-B-1
Width, Overall	24"
Depth, Overall	29 1/2"
Height, Overall	39"
Clear Door Width	14 5/8" x 8 1/2"
Depth with Door Open 90°	48"
Number of Doors	1
Number of Shelves	1
Net Capacity (cubic feet)	7.8
Cabinet Voltage	115/60/1
Condensing Unit Size (HP)	1/5
Total Amperes	4
NEMA Plug	5-15P
Crated Dimensions	27" x 31" x 45"
Gross Weight (Crated lbs.)	167



VDD-24-B-B-1



VDD-24-B-B-1

Continuous product development may necessitate specification changes and design without notice.



Victory participates in the KCL CADalog, the most current source of CAD symbols for foodservice designers worldwide. Symbols include standard equipment in plan, side, front and 3-D views, layered for FEDA/FCSI recommended guidelines.