



Project: _____
 Location: _____
 Item #: _____
 Quantity: _____

Direct Draw Dispenser

VDD MODELS —

VDD-48-B-B-1

VDD-72-B-B-1

Black Vinyl on Steel Exterior Finish with
 Stainless Steel Countertop and Interior Floor
 with Galvanized Walls and Ceiling.



VDD-48-B-B-1 Illustrated

Standard Features (all models)

- Available In Even Increments of 48" and 72" Widths
- Self-Contained, Capillary Tube Refrigeration System uses Environmentally Friendly R134a Refrigerant
- Sleek, Modern Exterior Design
- Extremely Durable Black Vinyl on Steel Exterior with a Stainless Steel Countertop
- Heavy-Duty Reinforced Stainless Steel Floor
- Galvanized Steel Walls and Ceiling
- Threshold Sills are Reinforced with Heavy Gauge Stainless Steel
- Doors have Replaceable One-Piece Magnetic Perimeter Gaskets
- Each Door has a Cylinder Lock and Easy Grip Horizontal Handle
- Continuously Cooled 3" Diameter Beer Column(s)
- Removable Stainless Steel Drip Tray
- Energy Saving, High Density, Polyurethane Insulation throughout the Cabinet
- Automatic, Non-Electric Condensate Disposal System
- High Efficiency, Quiet Running, Side-Mounted Refrigeration System
- Operating Temperature Range 36°F to 38°F

- One-Year Warranty on Parts and Labor and a Five-Year Warranty on the Compressor (U.S.A. only)
- 8 Foot Cord and Plug Set Provided

Optional Features and Accessories

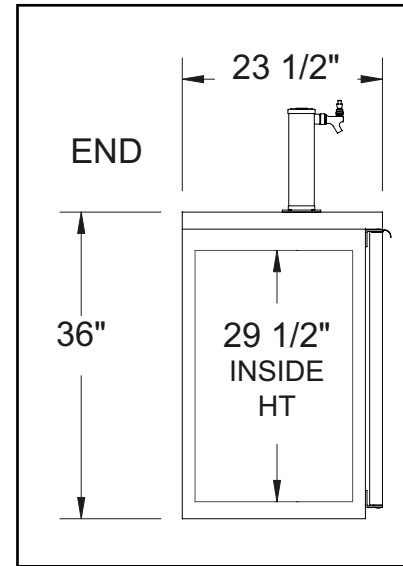
- Stainless Steel Exterior Models

Approvals:

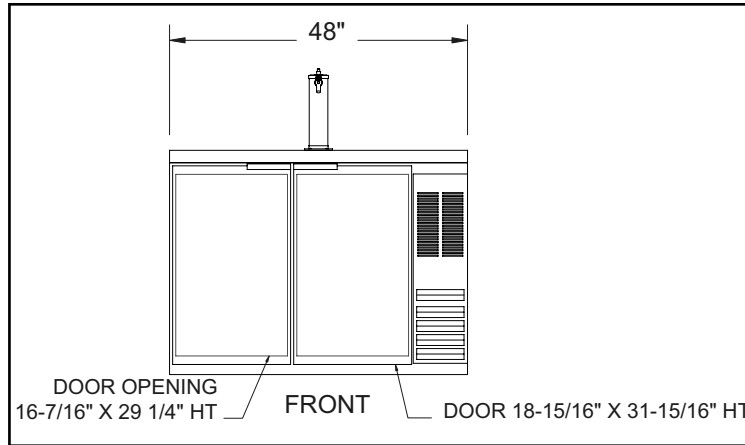


Victory Refrigeration specification sheets
 are available online at www.victory-refrig.com.

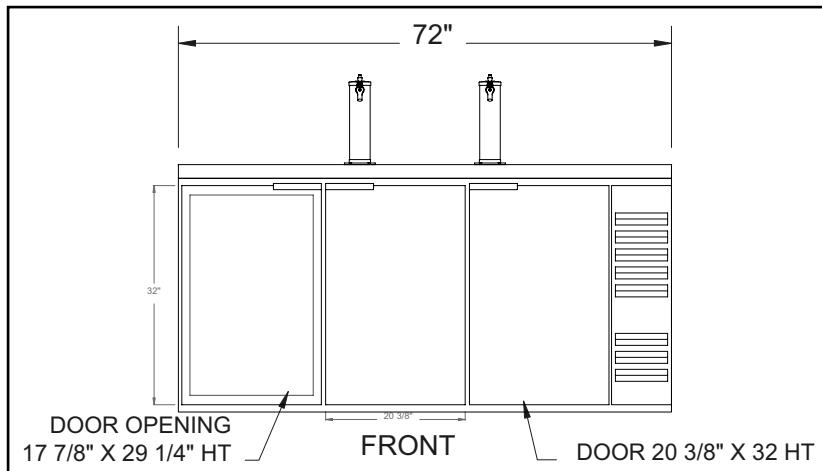
CHARACTERISTICS	VDD-48-B-B-1	VDD-72-B-B-1
Width, Overall	48"	72"
Depth, Overall	23 1/2"	23 1/2"
Height, Overall	36"	36"
Clear Door Width	16 7/16" x 29 1/4"	16 7/16" x 29 1/4"
Depth with Door Open 90°	42 3/4"	42 3/4"
Number of Doors	2	3
Number of Kegs (Straight Wall)	2	3
Net Capacity (cubic feet)	12.1	20.5
Cabinet Voltage	115/60/1	115/60/1
Condensing Unit Size (HP)	1/4	1/4
Total Amperes	5	5
NEMA Plug	5-15P	5-15P
Crated Dimensions	27" x 51" x 44"	27" x 75" x 44"
Gross Weight (Crated lbs.)	245	326



VDD-48 & VDD-72



VDD-48-B-B-1



VDD-72-B-B-1

Continuous product development may necessitate specification changes and design without notice.



Victory participates in the KCL CADalog, the most current source of CAD symbols for foodservice designers worldwide. Symbols include standard equipment in plan, side, front and 3-D views, layered for FEPA/FCSI recommended guidelines.