



Project: _____
 Location: _____
 Item #: _____
 Quantity: _____

Glass Froster

VGF MODELS —

Black Vinyl on Steel Exterior Finish with Stainless Steel Top and Lid(s). Galvanized Steel Interior.

VGF-24-B-1
VGF-34-B-1
VGF-48-B-1



VGF-48-B-1 Illustrated

Standard Features (all models)

- Heavy Duty Construction with Attractive Black Vinyl On Steel Exterior Finish
- Galvanized Steel Interior with “Shallow Design” for Easy Access to the Interior Base
- Flexible Design Allows for Plate Storage and Chilling by Removing Adjustable Shelving
- Stainless Steel Top and Easy Glide Lids
- Countertop has Integral Edge
- Environmentally Friendly Foamed-In-Place Polyurethane Insulation for Increased Energy Efficiency
- Refrigeration System uses R404A Refrigerant
- Automatic, Non-Electric Condensate Disposal Requires No Additional Plumbing
- 6 Foot Cord and Plug Set Provided
- Chills to -10° F Producing Frost when Plates or Glasses are Removed
- One-Year Warranty on Parts and Labor and a Five-Year Warranty on the Compressor (U.S.A. Only)

Optional Features and Accessories

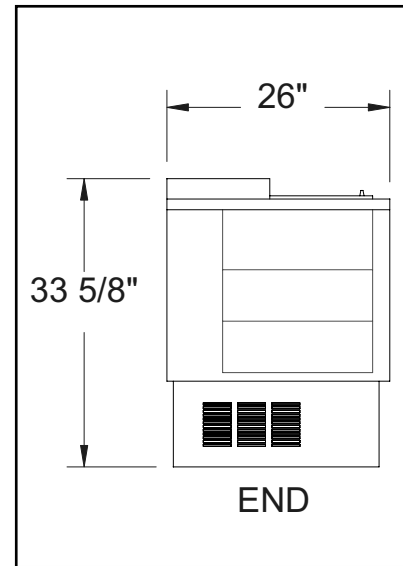
- Stainless Steel Models Available (Exterior)
- Lid Locks
- Adjustable 6” Legs
- Casters

Approvals:

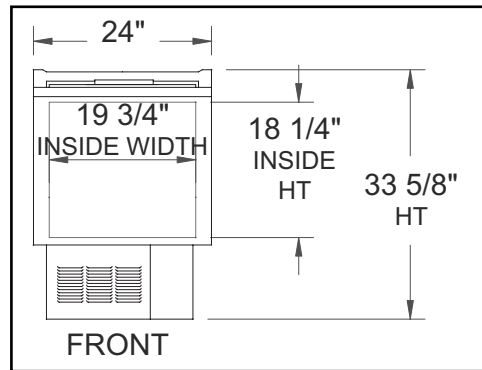


Victory Refrigeration specification sheets are available online at www.victory-refrig.com.

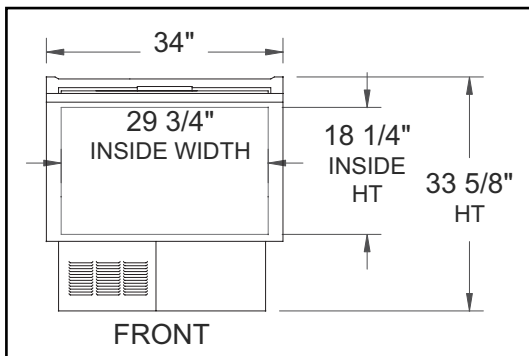
CHARACTERISTICS	VGf-24-B-1	VGf-34-B-1	VGf-48-B-1
Width, Overall	24"	34"	48"
Depth, Overall	26"	26"	26"
Height, Overall	33 5/8"	33 5/8"	33 5/8"
Lids	1	1	2
Dividers	2	2	4
Number of 12 oz. Mugs	76	94	164
Number of 8" Plates	100	150	250
Capacity Net (cubic feet)	4.4	5.62	9.6
Cabinet Voltage	115/60/1	115/60/1	115/60/1
Condensing Unit Size (HP)	1/3	1/3	1/3
Total Amperes	7	6.5	7.5
NEMA Plug	5-15P	5-15P	5-15P
Crated Dimensions	28 x 27 x 40	30 x 37 x 41	30 x 53 x 40
Gross Weight (Crated lbs.)	186	212	280



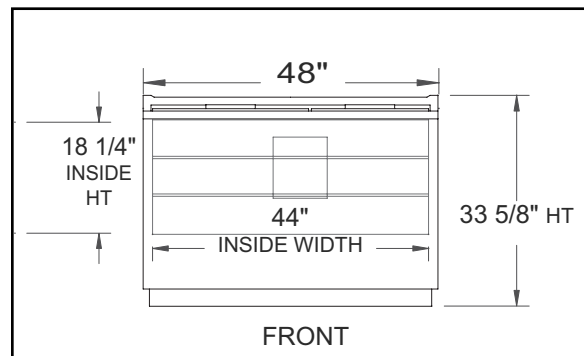
VGf-24,34 & 48



VGf-24-B-1



VGf-34-B-1



VGf-48-B-1

Continuous product development may necessitate specification changes and design without notice.



Victory participates in the KCL CADalog, the most current source of CAD symbols for foodservice designers worldwide. Symbols include standard equipment in plan, side, front and 3-D views, layered for FED/FCI recommended guidelines.